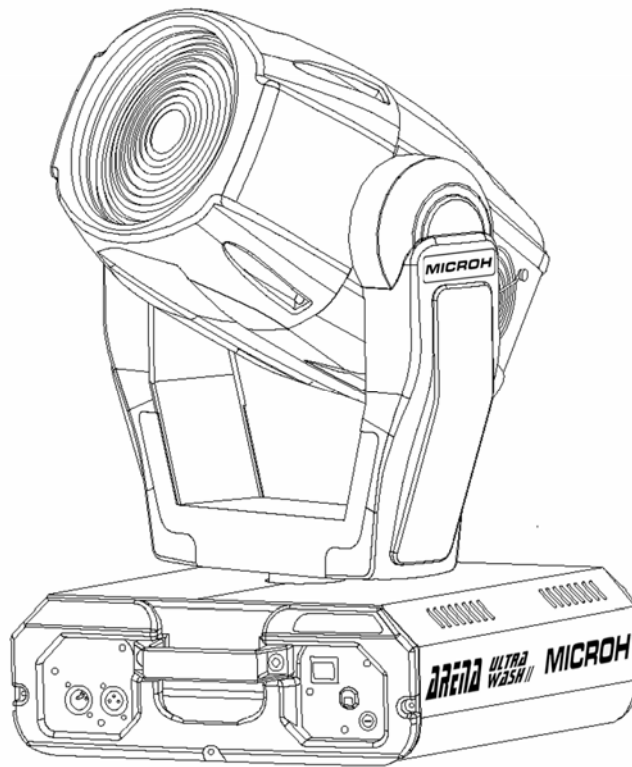


MICROH

ARENA ULTRA WASH II



USER MANUAL

© Copyright 2001

*Congratulations on your purchase of a
MICROH ARENA ULTRA WASH II*

*Or as we affectionately call it the “Ultra Wash“
Every effort has been made to ensure that you now own
one of the most technically advanced, feature packed
and versatile moving head fixtures on the Market today.*

*Durable and versatile enough to give you
Excellent & reliable service for many years.*

ARENA ULTRA WASH II

User Manual

English

Table of contents

1. Safety	3
1.1. Safety Instructions	3
1.2. Operating the fixture	4
2. Introduction	3
2.1. Features.....	5
2.2. Description of the fixture.....	6
2.3. Photometrics.....	7
3. Installation	8
3.1. Fitting/Exchanging the lamp	8
3.2. Connection with the power supply.....	10
3.3. DMX-512 connection / connection between fixtures.....	11
4. DMX Protocol	12
4.1. Function of the control channels - 16-bit protocol	12
4.2. Function of the control channels - 8-bit protocol:	14
5. Addressing	15
6. Remotely Controllable Functions	16
6.1. Lamp.....	16
6.2. Switching on and off the lamp via the Control Panel	16
6.3. Colour wheel.....	16
6.4. CMY- Colour mixture	16
6.5. Beam effects.....	16
6.6. Zoom.....	16
6.7. Dimmer	16
6.8. Shutter / Strobe	16
6.9. Fan.....	16
7. Control Panel.....	17
7.1. Main functions	17
7.2. SPEC -Special functions	18
8. Error and Information Messages	23
9. Technical Specifications.....	24
10. Cleaning and Maintenance	26
10.1. Replacing the fuse.....	26
11. Appendix.....	27



CAUTION!
Keep this fixture away from rain and moisture!
Unplug from power supply before opening the housing!



**FOR YOUR OWN SAFETY, PLEASE READ THIS USER MANUAL CAREFULLY
BEFORE YOUR INITIAL START UP!**

1. Safety

1.1. Safety instructions

Everyone involved with the installation, operation and maintenance of this fixture should:

- be knowledgeable of sophisticated lighting systems.
- follow the instructions in this manual.



CAUTION!
Be careful when operating or installing this fixture.
You could suffer an electrical shock
when touching the wires!



We have made every effort to ensure that this fixture has left our premises in absolutely perfect condition. In order to maintain this condition and to ensure safe operation, it is absolutely necessary for the user to follow the safety instructions and warning notes outlined in this manual.



Important:

The manufacturer does not accept liability for any resulting damages caused by the non-observance of this manual or any unauthorized modifications made to this fixture.

Please consider that damages caused by manual modifications to the fixture are not subject to warranty.

Never let the power cord come into contact with other cables! Handle the power cord and all connections with the power supply with particular care!

Make sure that the power cord is never crimped or damaged by sharp edges. Check the fixture and the power cord occasionally for wear and damage.

Make sure that the available voltage is not higher than indicated on the rear panel of the fixture. Before connecting the fixture to the power supply, make sure the power switch is set to the OFF position. The power plug should be accessible after installing the fixture.

Always disconnect the fixture from the power supply when it is not in use or before cleaning it. Only handle the power cord by the plug; never pull out the plug by tugging on the power cord.

This fixture falls under protection **Class I**. Therefore it is essential to connect the green conductor to earth, ensuring that the unit is perfectly grounded.

Only qualified technicians should perform electrical connections, repairs and servicing of the fixture.



Do not connect the fixture to a dimmer pack.

Do not switch the fixture on and off in short intervals as this will greatly reduce the lamp's life.

During the initial start up some smoke or odor may arise. This is a normal process and does not necessarily mean that the fixture is defective.

When replacing lamps and fuses, use the same type and rating only.

Caution: Do not touch the fixture barehanded during its operation, the housing becomes very hot!

	CAUTION! BEWARE OF POTENTIAL EYE DAMAGE! Avoid looking directly into the light source. (Especially epileptics)!	
-----------------------------------------------------------------------------------	--------------------------------------------------------------------------------------------------------------------------------------------	-------------------------------------------------------------------------------------

1.2. Operating the fixture

This fixture is a moving head spot for creating lighting effects. This product has been configured to operate with an alternating current of 120V 60Hz and was designed for indoor use only.

If the fixture has been exposed to drastic temperature fluctuations (e.g. after transportation), do not switch it on immediately. The resulting condensation might damage your fixture. Leave the fixture switched off until it has reached room temperature.

Never operate the fixture without the lamp!

Avoid shaking the fixture or using brute force when installing or operating the fixture.

Never lift the fixture by holding the projector head or arms, as this may damage the pan and tilt motors. Always hold the fixture by the transport handles.

When choosing the location for installation, please make sure that the fixture is not exposed to extreme heat, moisture or dust. There should not be any cables lying around. You may endanger yourself and the safety of others!

The minimum distance between light output and the illuminated surface must be greater than 1 meter (3 feet).

Make sure that the area below the installation site is blocked off when rigging, de-rigging or servicing the fixture.

Always secure the fixture with an appropriate safety cable. Secure the safety cable by the correct attachments only.



Only operate the fixture after having checked that the housing is firmly closed and all screws are tightly fastened.

The lamp must never be ignited if the objective lens or the housing cover is open as discharge lamps may explode and emit a high ultraviolet radiation, which may cause burns.

The maximum ambient temperature of 40°C must never be exceeded.

CAUTION! The lens has to be replaced when it is so obviously damaged, that its function is impaired, e. g. due to cracks or deep scratches!

Operate the fixture only after having familiarized yourself with its functions. Do not permit operation by persons not qualified to operate the fixture. Most damages are the result of unprofessional operation!

	CAUTION! The lamp has to be replaced when it is damaged or deformed due to the heat!	
-------------------------------------------------------------------------------------	-------------------------------------------------------------------------------------------------------	---------------------------------------------------------------------------------------

Please use the original packaging or a specifically designed flight case if the fixture is to be transported.

Please consider that unauthorized modifications of the fixture are forbidden due to safety reasons!

Never remove the serial barcode from the fixture, as this would make the warranty void.

If this fixture is to be operated in any way different from that described in this manual, the product may suffer damages and the warranty may become void. Furthermore, any other operation may lead to dangers like short-circuit, burns, electric shock, lamp explosion, etc.

2. Introduction

Thank you for having chosen an **ARENA ULTRA WASH**. You have acquired a versatile, powerful and intelligent lighting effect.

Unpack your **ARENA ULTRA WASH** and make sure that there was no damage caused by transportation. Should there be any, please consult your local dealer and do not operate the fixture.

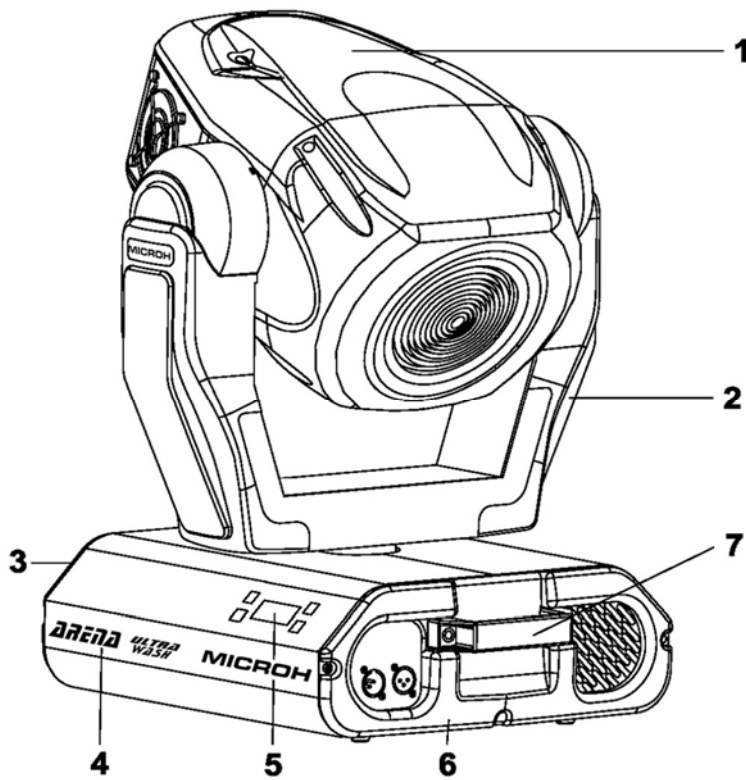
2.1. Features

Moving Head Ultra Wash

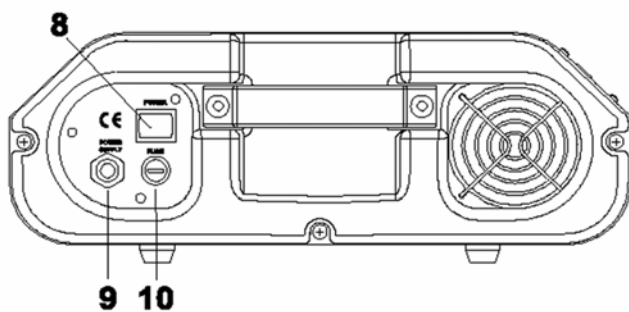
Motorized colour-wheel with additional 4 discrete dichroic filters plus open. CMY colour mixture.

- Colours: deep red, deep blue, green, orange, 3200 K and 6000 K correction-filters, Black-light (UV).
- Rainbow effect in both directions
- Macro-function for combinations between CMY colour mixture and colour wheel
- Frost-filter for softer beam
- Beam-shape effect: wide and flat beam can steplessly be rotated by 180°
- Combined shutter/dimmer unit allowing very smooth dimming and a strobe-effect of 1-10 flash per sec.
- Silent fans cooling; remotely controllable fan speed
- Modular construction of fixture, sleek elegant design with 2 carrying handles
- Addressing, special functions setting, effects calibration via control panel
- 4-digit LED display shows fixture and lamp usage, receiving DMX values, temperature, etc
- Built-in analyzer for easy fault-finding and error messages
- Remotely switching of the lamp
- Built-in demo sequence
- Preprogrammed variable/random strobe and dimmer pulse effects
- Black-out while head moving or CMY/colour/beam-shaping changing
- Remotely controllable speed of PAN /TILT movement for easy programming
- Remote reset function
- 16 DMX-channels – 16-bit Pan/Tilt movement resolution
- 14 DMX-channels – 8-bit Pan/Tilt movement resolution
- Pan movement range 530°, Tilt movement range 280°
- Automatic Pan / Tilt position correction
- High luminous-efficient parabolic mirror
- Light output via Fresnell-lens with a diameter of 200 mm
- Radiation angle of Fresnell-lens adjustable between 7° and 28°
- All lens are anti-reflection coated
- 13 high-quality stepping-motors for smooth movements
- Uses PHILLIPS MSD 575 or MSR 575/2 lamp
- Control via standard DMX controller

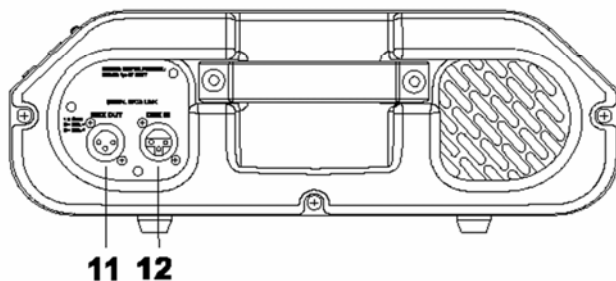
Description of the fixture



- 1 – Projector head
- 2 - Yoke
- 3 - Left side panel
- 4 - Base
- 5 - Control Panel
- 6 - Right side panel
- 7 - Carrying handles



- Left side panel:**
- 8 – Power switch
 - 9 – Power cord
 - 10 - Fuseholder



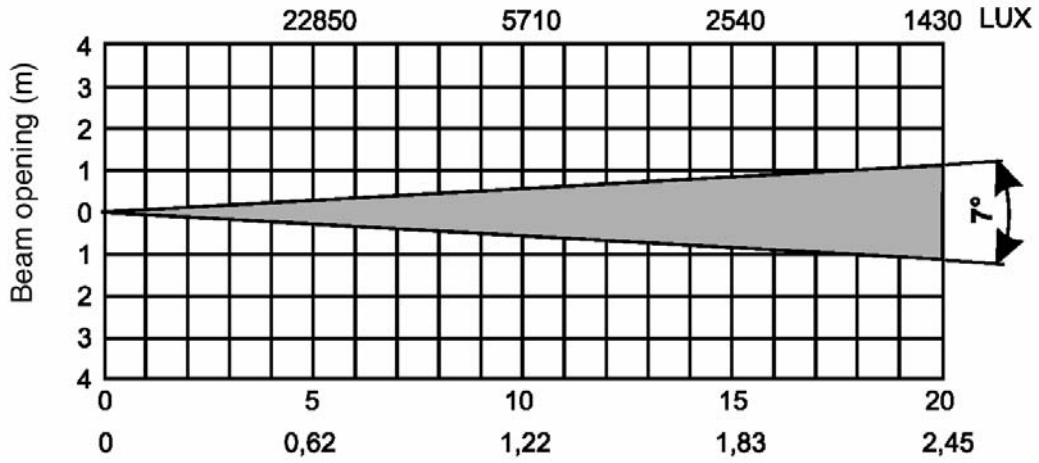
- Right side panel:**
- 11 – DMX output
 - 12 – DMX input



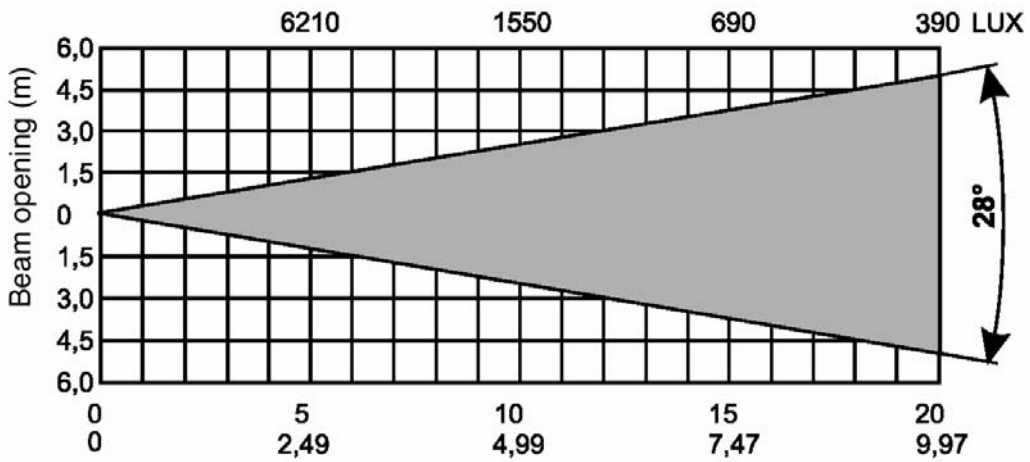
- Control Panel:**
- 13 – Mode key
 - 14 - Display
 - 15 – Enter key
 - 16 - Up/Down keys

2.3. Photometrics

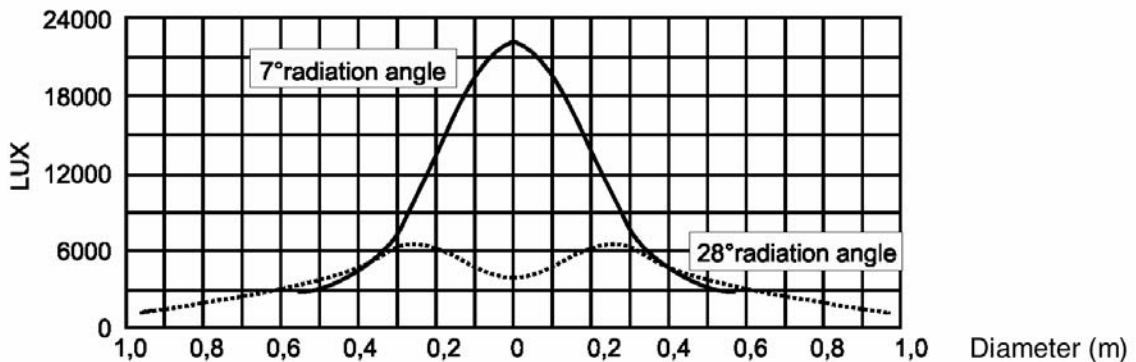
7° radiation angle



28° radiation angle



Distance = 5 m

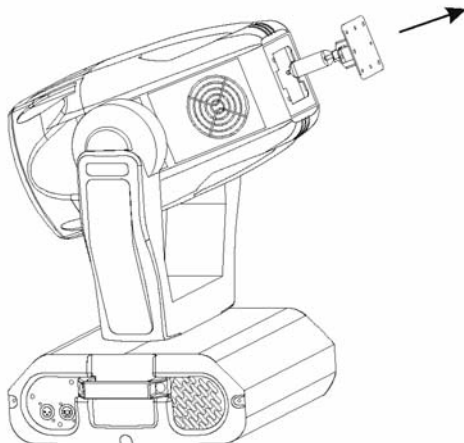


3. Installation

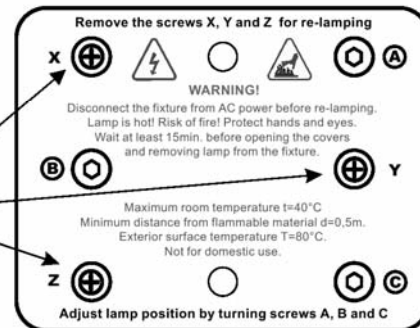
3.1. Fitting/Exchanging the lamp



DANGER!
Install the lamp with the fixture switched off.
Unplug from power supply before opening unit!



Screws
X, Y and Z



To install the lamp, PHILIPS MSR 575/2 or MSD 575, open the small cover at the head's rear panel (see the drawing) by loosening the 3 Phillips screws **X, Y and Z** on the cover.

Gently pull out the lamp assembly.

Remove the old lamp from the socket and insert the new lamp.

Do not install a lamp with a higher wattage, it may generate temperatures that the fixture is not designed for. Damages caused by non-observance are not covered by the warranty. Please follow the lamp manufacturer's notes!

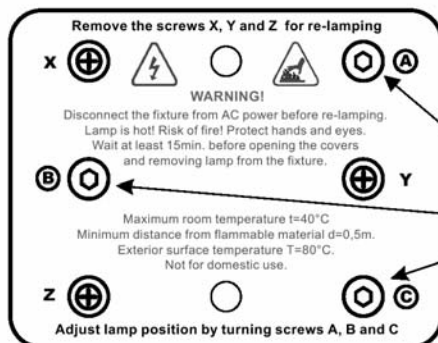
Do not touch the glass bulb barehanded during the installation! Make sure that the lamp is installed tightly into the lamp assembly.

Reinsert the lamp assembly and tighten the 3 screws.

Before striking the lamp, reset the "LAti" counter in the main menu of the Control Panel by pressing the **[Up]** and **[Down]** keys in one time and then confirming with the **[Enter]** key.

Do not operate the fixture with the housing open!

Lamp adjustment



Screws A, B and C

The **ARENA ULTRA WASH** lampholder is aligned at the factory. Due to differences between lamps, fine adjustment may improve light output.

Strike the lamp and open the shutter, set the dimmer intensity onto 100 % and direct the light onto a flat surface (wall). Center the hotspot (the brightest part of the beam) using the 3 adjustment screws **A, B and C**

(see the drawing). Turn one screw at a time to drag the hotspot diagonally across the projected image. If you cannot detect a hotspot, adjust the lamp until the light is even.

To reduce a hotspot, "pull" the lamp in by turning all three screws **A, B and C** clockwise ¼-turn one at a time until the light is evenly distributed.

If the light is brighter around the edge than it is in the center, or if light output is low, then the lamp is too far back in the reflector. "Push" the lamp out by turning the screws **A, B and C** counterclockwise ¼-turn one at a time until the light is brighter and evenly distributed.

3.2. Rigging

The installation of the projector has to be built and constructed in such a way that it can hold 10 times the weight of the fixture for 1 hour without any deformation.

The installation must be secured with a secondary safety attachment, e.g., an appropriate safety cable. This secondary safety attachment must be constructed in such a way that no part of the fixture can fall in the event of a primary attachment failure.

When rigging, de-rigging, or servicing the fixture, staying in the area below the installation, on bridges, under high working places and other endangered areas is forbidden.

The operator must make sure that safety related and machine technical installations are approved by an expert before operating the fixture for the first time or after changes have been made to the installation.

The projector has to be installed out of the reach of people.

If the projector is to be lowered from the ceiling or high joists, professional trussing systems have to be used.

The projector must never be allowed to swing freely.

IMPORTANT! OVERHEAD RIGGING REQUIRES EXTENSIVE EXPERIENCE, including (but not limited to) calculating working load limits, installation material being used, and periodic safety inspection of all installation material and the projector. If you lack these qualifications, do not attempt the installation yourself, but instead use a professional structural rigger. Projectors may cause severe injuries when they come crashing down! Improper installation can result in bodily injury and/or damage to property. If you have any doubts concerning the safety of a possible installation, do **NOT** install!

DANGER OF FIRE!

When installing the fixture, make sure there are no highly inflammable materials (decoration articles, etc.) closer than 0.5 m.



CAUTION!

**Use 2 appropriate clamps to rig the fixture onto the truss.
Follow the instructions on the bottom of the base.**

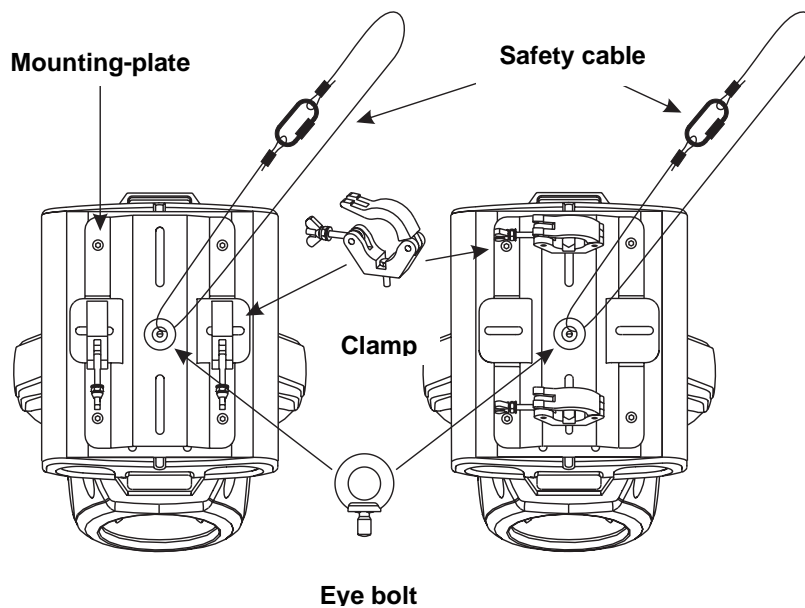
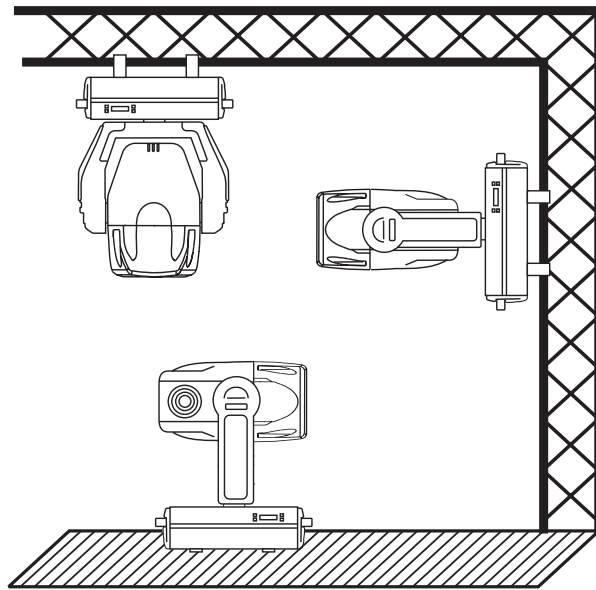


**Make sure that the fixture is secured properly! Ensure that
the structure (truss) to which you are attaching the fixture to is secure.**

The **ARENA ULTRA WASH** can be placed directly on the stage floor or rigged in any orientation on a truss without altering its operation characteristics (see the drawing).

The fixture's base enables it to be mounted in two ways. Use the clamps with M10 or M8 screws - check the bottom of the base.


Install a safety cable that can hold at least 10 times the weight of the fixture. Never use the carrying handles for secondary support.



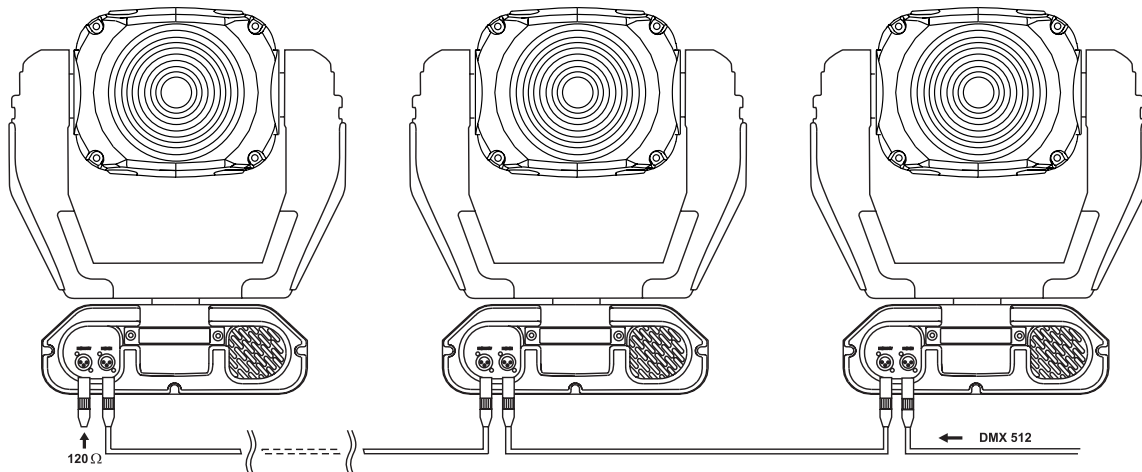
3.3. Connection with the power supply



Connect the fixture to the power supply with the plug.
The earth has to be connected!

The configuration of the power supply cable is as follows:

Cable	Pin	International
Brown	Live	L
Blue	Neutral	N
Yellow/Green	Earth	

3.4. DMX-512 connection / connection between fixtures



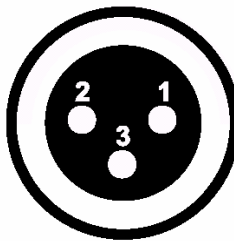
 **The wires must not come into contact with each other, otherwise the fixtures will not work properly if at all.** 

Use only a stereo-shielded cable and 3-pin XLR plugs and connectors in order to connect the controller with the fixture and one fixture with another.

Configuration of the XLR connection:

DMX-output

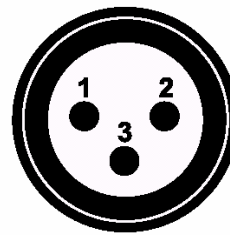
XLR mounting-socket:



- 1: Ground
- 2: Signal (-)
- 3: Signal (+)

DMX-input

XLR mounting-plug:



- 1: Ground
- 2: Signal (-)
- 3: Signal (+)

If you are using the recommended **ARENA ULTRA WASH** controllers, you can connect the DMX output of the controller directly with the DMX input of the first fixture in the DMX chain. If you wish to connect the DMX controllers with other XLR outputs, you will need to use adapter cables.

Building a serial DMX chain:

Connect the DMX output of the first fixture in the DMX chain with the DMX input of the next fixture. Always connect one output with the input of the next fixture until all of the fixtures are connected.

Caution:

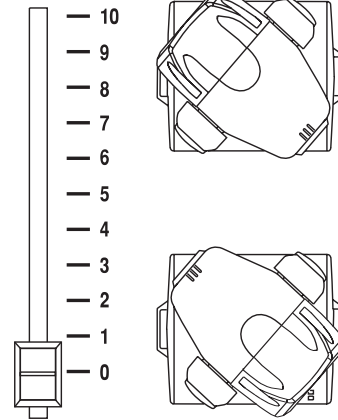
At the last fixture, the DMX cable has to be terminated with a terminator. Solder a 120 Ω resistor between Signal (-) and Signal (+) into a 3-pin XLR plug and plug it into the DMX output of the last fixture.

4. DMX-Protocol

4.1. Function of the control channels – 16-bit protocol

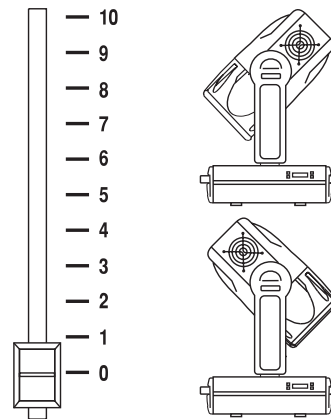
Channel 1 - Horizontal movement (Pan)

Push the fader up in order to move the head horizontally (PAN). Gradual head adjustment from one end of the fader to the other (0-255, 128-center). The head can be turned by 530° and stopped at any position you wish.



Channel 2 - Vertical movement (Tilt)

Push the fader up in order to move the head vertically (TILT). Gradual head adjustment from one end of the fader to the other (0-255, 128-center). The head can be turned by 280° and stopped at any position you wish.



Channel 3 - Pan fine 16-bit

When in 16-bit resolution mode, channel 3 controls the fine movement of the Panning motion.

Channel 4 - Tilt fine 16-bit

When in 16-bit resolution mode, channel 4 controls the fine movement of the Tilting motion.

Channel 5 - Speed of PAN / TILT movement

0	Max speed (tracking mode)
1	Max speed (vector mode)
249	Min. speed (vector mode)
250-252	Max. speed (tracking mode), black-out color changes
253-255	Max. speed (vector mode), black-out while PAN, TILT moving or color changes

Channel 6 - Switch on / off the lamp, reset, speed control of cooling fan

0	Open, max. speed of fan
127	Open, min. speed of fan (silent operation) from 0 to 127 - decreasing speed of fan
128 - 139	Switch on the lamp, reset, open position
140 - 239	No function
230 - 239	Switch off the lamp after 3 seconds
240 - 255	No function

Channel 7 – Colour wheel

Linear colour change follows the movement of the fader, allowing you to stop the colour wheel at any position - even between two colours to create dual-coloured beams.

Between the DMX values of 128 and 190 and between 193 and 255, the colour wheel rotates continuously to create a "Rainbow" effect.

0 - 15	Open/white
16 - 31	Deep red
32 - 47	Blue
48 - 63	Green
64 - 79	Orange
80 - 95	Correction-filter 3200 K
96 - 111	Correction-filter 6000 K
112 - 127	UV-filter
128 - 190	Forwards rainbow effect from fast to slow
191 - 192	No rotation
193 - 255	Backwards rainbow effect from slow to fast

Channel 8 - Cyan

0 - 255	Cyan (0 – white, 255 – 100% cyan)
---------	-----------------------------------

Channel 9 - Magenta

0 - 255	Magenta (0 – white, 255 – 100% magenta)
---------	-----------------------------------------

Channel 10 - Yellow

0 - 255	Yellow (0 – white, 255 – 100% yellow)
---------	---------------------------------------

Channel 11 - Speed of CMY and dimmer

0	Max speed
255	Min speed

Channel 12 - Colour-macros - CMY and colour-wheel

0 - 7	Off	128 - 135	Macro 16
8 - 15	Macro 1	136 - 143	Macro 17
16 - 23	Macro 2	144 - 151	Macro 18
24 - 31	Macro 3	152 - 159	Macro 19
32 - 39	Macro 4	160 - 167	Macro 20
40 - 47	Macro 5	168 - 175	Macro 21
48 - 55	Macro 6	176 - 183	Macro 22
56 - 63	Macro 7	184 - 191	Macro 23
64 - 71	Macro 8	192 - 199	Macro 24
72 - 79	Macro 9	200 - 207	Macro 25
80 - 87	Macro 10	208 - 215	Macro 26
88 - 95	Macro 11	216 - 223	Macro 27
96 - 103	Macro 12	224 - 231	Macro 28
104 - 111	Macro 13	232 - 239	Macro 29
112 - 119	Macro 14	240 - 247	Macro 30
120 - 127	Macro 15	248 - 255	Macro 31

Channel 13 – Effect wheel

0 - 70	Full beam
71 - 230	Beam-shaper
231 - 255	Frost-filter

Channel 14 - Zoom

0	Zoom 7°
255	Zoom 28°

Channel 15 - Shutter, Strobe

0 - 31	Shutter closed
32 - 63	No function (Shutter open)
64 - 95	Strobe-effect from slow to fast (max. 10 flashes/second)
96 - 127	No function (Shutter open)
128 - 159	Pulse-effect in sequences
160 - 191	No function (Shutter open)
192 - 223	Random strobe-effect from slow to fast
224 - 255	No function (Shutter open)

Channel 16 - Dimmer intensity

0 - 255	Gradual adjustment of the dimmer intensity from 0 to 100 %
---------	------------------------------------------------------------

4.2. Function of the control channels - 8 bit protocol:

DMX Channel	1	2	3	4	5	6	7	8	9	10	11	12	13	14
Function	PAN	TILT	PAN/TILT SPEED	FAN ON/OFF LAMP	COLOURS	CYAN	MAGENTA	YELLOW	CMY SPEED	COLOURS MACROS	EFFECT	-	STROBO	DIMMER

5. Addressing

The Control Panel on the top side of the **ARENA ULTRA WASH** allows you to assign the DMX fixture address. This is defined as the first channel from which the **ULTRA WASH** will respond to the controller. If you set, for example, the address to channel 5, the **ULTRA WASH** will use the channels 5 to 20 for control. Please be sure that you don't have any overlapping channels in order to control each **ULTRA WASH** correctly and independently from any other fixture on the DMX data link. If two or more **ARENA ULTRA WASH** are addressed similarly, they will operate identically.

For address setting follow this procedure:

1. Switch on the **ULTRA WASH** and wait until the fixture has reset ("**rSt**" will flash on the display).
2. Press the **[Mode]** key to access the main menu. Browse through the menu by pressing the **[Up]** and **[Down]** keys until the display shows "**A001**". Confirm by pressing the **[Enter]** key and the letter "**A**" will flash.
3. Use the **[Up]** and **[Down]** keys to select the desired address.
4. Confirm by pressing **[Enter]** or **[Mode]** to cancel.

Controlling:

After having addressed all of the **ARENA ULTRA WASH** fixtures, you may now start operating these via your lighting controller.

Note:

After switching on, the **ARENA ULTRA WASH** will automatically detect whether DMX 512 data is being received. If there is no data received at the DMX input, the display will start to flash "**A001**" with the actual set address. This situation can occur if:

- the 3-pin XLR plug (cable with the DMX signal from the controller) is not connected with the input of the **ARENA ULTRA WASH**
- the controller is switched off or defective
- the cable or connector is defective or the signal wires are reversed in the input connector.

Note:

It's necessary to insert the XLR termination plug (with 120 Ohm) in the last fixture in the link in order to ensure proper transmission of the DMX data link.

6. Remotely Controllable Functions

6.1. Lamp

The **ARENA ULTRA WASH** is to be installed with a PHILIPS MSR 575/2 or MSD 575 lamp. A relay inside of the **ULTRA WASH** allows you to switch on and off the lamp via the Control Panel on the fixture or through your DMX controller.

Switching on and off the lamp via the Control Panel

1. Switch on the **ARENA ULTRA WASH** and wait until the fixture has reset.
2. Press the **[Mode]** key to access the main menu. Browse through the menu by pressing the **[Up]** and **[Down]** keys until the display shows "**LAMP**". Confirm by pressing the **[Enter]** key.
3. Use the **[Up]** and **[Down]** keys to select "**On**" for switching the lamp on and "**Off**" for switching the lamp off and press **[Enter]** to confirm or **[Mode]** to cancel.

Note :

*It is also important to note that the discharge lamp is a cold re-strike type, which means that it has to be cold before re-striking. For this reason, you have to wait 5 minutes (max. speed of fan must be adjusted) after having switched off the lamp before you can switch it back on again. If you try to switch on the lamp within 5 minutes after having switched it off, the **ARENA ULTRA WASH** will store this information and automatically ignite the lamp when the 5 minutes period has expired. The message "**HEAT**" will appear on the control panel display on the **ARENA ULTRA WASH**. If the lamp attempts to ignite seven times unsuccessfully, "**LA.Er**" will appear on the display, indicating that the lamp could be damaged or missing, or that there could be a failure of the igniter or ballast.*

6.2. Colour wheel

The **ARENA ULTRA WASH** features a colour wheel with 8 color positions - 4 of these with dichroic colors, correction-filters 3200 K and 6000 K, UV-filter and the last one open. The wheel can be positioned at any point between two adjacent colors. It is also possible to rotate the colour wheel continuously at different speeds to create the "Rainbow effect".

6.3. CMY- Colour mixture

The CMY colour mixing system is based on graduated cyan, magenta, and yellow colour filters. A continuous range of colours may be achieved by varying the amount of each filter from 0 to 100%.

6.4. Beam effects

The beam shaper allows you to widen and flatten the beam; it rotates within 180°. There is a frost-filter on the same wheel as the beam shaper that softens the beam.

6.5. Zoom

With the motorized zoom, the radiation angle can be adjusted between 7° and 28°.

6.6. Dimmer

Smooth 0 - 100 % dimming is provided by the dimmer unit.

6.7. Shutter / Strobe

This unit provides strobe effects between 1 and 10 flashes per second.

6.8. Fan

The **ARENA ULTRA WASH** is cooled by three axial fans - one in each projector head and one in the base. The speed of the fan (and of course the noise) can be continuously reduced if very quiet performance is required.

Using the "**FAnS**" function on the Control Panel you can choose 5 types of fan speed operation. Please refer to the instructions under **SPEC -Special functions**.

7. Control Panel

The Control Panel situated on the top side of the **ARENA ULTRA WASH** offers several features. You can easily set the DMX address, read the number of lamp or unit hours, switch on and off the lamp, run demonstration sequences, reset the fixture and also use special functions for manual control and service purposes.

The main menu is accessed by pressing the **[Mode]** key - press this key until the display shows the message "A001" (with the stored address). Browse through the menu by pressing the **[Up]** and **[Down]** keys - the display shows step by step these messages: **A001**, **rPAn**, **rTilt**, **16br**, **LAt**, **Pot**, **LAMP**, **dEMo**, **rESE**, **SPEC**. Press **[Enter]** if you wish to select one of them. The functions provided are described in the following sections and the function hierarchy is shown below.



7.1. Main functions

A001 - DMX 512 Address settings

The letter "A" flashes. Use the **[Up]** and **[Down]** keys to select the required address (001 - 512) and press **[Enter]** to confirm or **[Mode]** to cancel and return to the main menu.

rPAn - Pan reverse

This function allows you to reverse the Pan movement. Use the **[Up]** and **[Down]** keys to select "On" if you wish this feature or "Off" if you don't wish this feature and then press **[Enter]** to confirm or **[Mode]** to cancel and return to the main menu.

rTilt - Tilt reverse

This function allows you to invert the Tilt movement. Use the **[Up]** and **[Down]** keys to select "On" if you want this feature or "Off" if you don't want this feature and then press **[Enter]** to confirm or **[Mode]** to cancel and return to the main menu.

16br - Movement resolution

With this function you can adjust the desired movement resolution to 8 or 16-bit. Use the **[Up]** and **[Down]** keys to select "On" if you wish the 16-bit high resolution or "Off" if you wish only 8-bit resolution and press **[Enter]** to confirm or **[Mode]** to cancel and return to the main menu.

Note: If you adjust to the 16-bit resolution the fixture will occupy 16 DMX channels, if you adjust to the 8-bit resolution, the fixture will use only 14 DMX channels. Please check the DMX protocol.

LAt - Lamp On time

This option enables you to read the total number of hours that the lamp has been powered on. Press **[Enter]** or **[Mode]** to return to the main menu. In order to reset the counter to 0, you have to hold down the **[Up]** and **[Down]** keys and press the **[Enter]** key.

Pot - Power On time

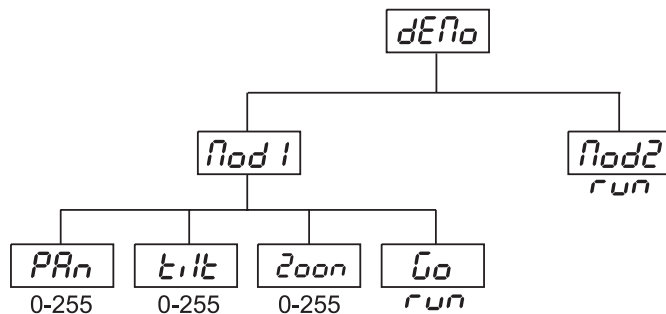
Press the **[Enter]** key to read the total number of hours that the **ARENA ULTRA WASH** has been powered on or **[Mode]** to return to the main menu.

LAMP - Switch on / off the lamp

Use the **[Up]** and **[Down]** keys to select "On" if you wish to switch the lamp on or "Off" if you wish to switch the lamp off and press **[Enter]** to confirm or **[Mode]** to cancel and return to the main menu.

dEMo - Demo sequences

This function allows you to run special demo sequences without an external controller. This will show you some of the capabilities of the **ARENA ULTRA WASH**. Press the **[Up]** and **[Down]** keys to select the "Mod1" or "Mod2" sequence. The "Mod1" is suitable for projections on the wall, ceiling or ground without any head movement; the "Mod2" uses all of the **ARENA ULTRA WASH** functions and therefore is good for a complete introduction to the fixture.

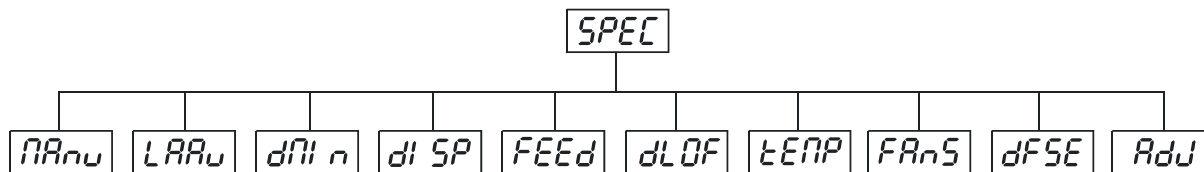


rESE - Reset Function

Press the [Enter] key to run a reset. This option enables the ARENA ULTRA WASH to index all effects (functions) and return them to their standard positions.

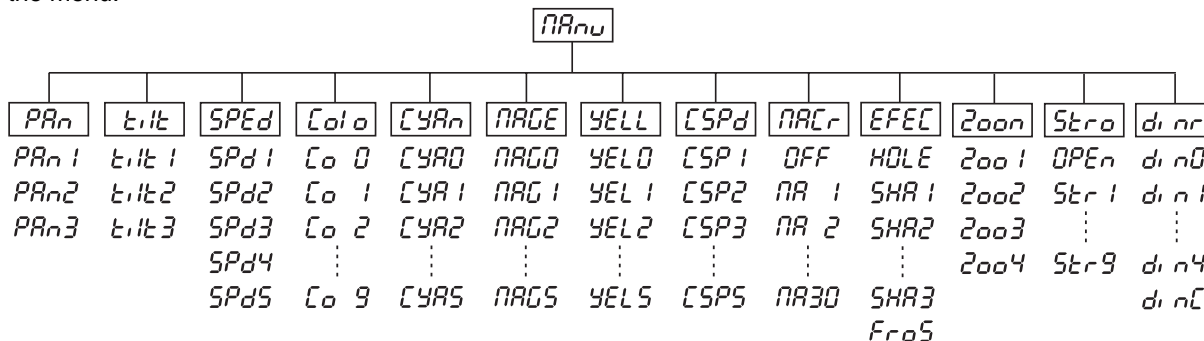
7.2. SPEC -Special functions

Use the [Up] and [Down] keys to browse through the special functions and select one by pressing [Enter].



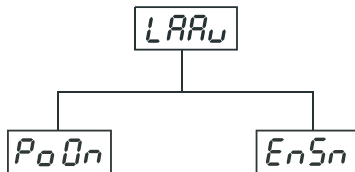
NARnu - Manual control of effects

This function allows you to manually control the channel functions of the fixture. Use the [Up] and [Down] keys to select the desired function and press [Enter] to adjust the effect or [Mode] to cancel and return to the menu.



LARu- Lamp On automatically

This menu allows you to turn the lamp on automatically after switching the fixture on and switching on/off the lamp light sensor.



PoOn- Lamp On after switching the fixture on

This function enables you to switch the lamp on automatically after switching on the fixture. Use the [Up] and [Down] keys to select "On" if you wish to switch the lamp on automatically after switching on the fixture or "Off" if you wish the lamp to remain off after switching on the fixture and press [Enter] to confirm or [Mode] to cancel and return to the menu.

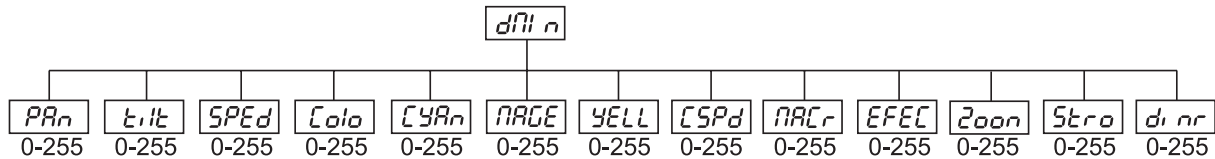
EnSn - Switch On/Off the lamp light sensor

Use the [Up] and [Down] keys to select "On" if you wish to switch the lamp light sensor on or "Off" if you wish to switch the lamp light sensor off, and press [Enter] to confirm or [Mode] to cancel and return to the menu. The option "On" is for the standard operation.

Important: The option "Off" is for "emergency operation" only in the event that the lamp light sensor is defective and you are waiting for a spare light sensor! If the lamp light sensor is switched off, the error messages "LAEr and SnEr" will not appear on the display and the message "HEAt" will only appear if the lamp was turned off and on within 5 minutes. Switching on the fixture in this mode will result in the fixture attempting to ignite the lamp until it lights (even when the lamp is damaged or absent) and could damage electronic parts.

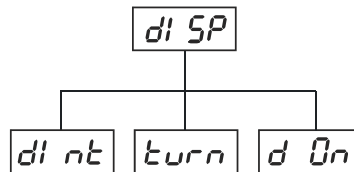
dM n - DMX values

Displays the DMX values of each channel received by the fixture. Use the [Up] and [Down] keys to select the desired channel and press [Enter] to read its value coming to the fixture or [Mode] to cancel and return to the menu.



dI SP - Display adjusting

This function allows you to adjust the display settings:



dInt - Display intensity

With this function, you can adjust the display intensity from 20 % to 100 %. Use the [Up] and [Down] keys to select the level of the display intensity and press [Enter] to confirm or [Mode] to cancel and return to the menu.

turn - Display reverse

With this function, you can rotate the display by 180°. Use the [Up] and [Down] keys to select "normal display" or "display turned by 180°" and press [Enter] to confirm or [Mode] to cancel and return to the menu.

d On - Display On

This function allows you to keep the display on or to turn it off automatically 2 minutes after last pressing any key on the Control Panel. Use the [Up] and [Down] keys to select "On" if you wish to keep the display on or "Off" if you wish to turn it off automatically 2 minutes after pressing any key on the Control Panel and press [Enter] to confirm or [Mode] to cancel and return to the menu.

FEEd - PAN/TILT Feedback:

This function allows to return the moving head to the required position after changing the position by an external force (e. g. by a stroke). Use the [Up] and [Down] keys to select "On" if you wish to enable this function or "Off" if you wish not to return the moving head to the required position and press [Enter] to confirm or [Mode] to cancel and return to the menu.

Note:

If feedback is switched off and the PAN/TILT position is changed by an external force and feedback is switched on again, the moving head might not to be synchronized with the DMX signal. You will have to reset the fixture in order to synchronize the head with the DMX signal.

dLOF - Lamp off via DMX

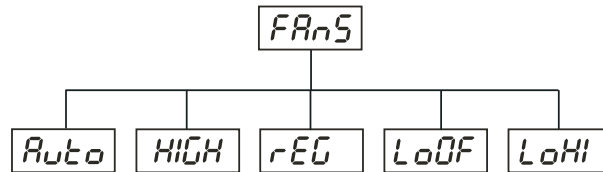
This function allows you to switch off the lamp with the DMX controller. Use the [Up] and [Down] keys to select "On" if you want to switch the lamp off by DMX or "Off" if you don't want to switch the lamp off by DMX and press [Enter] to confirm or [Mode] to cancel and return to the menu.

TEMP - Temperature

Displays the internal temperature of the fixture in Celsius. Internal temperatures below 80° C are not critical. However, temperatures greater than 80° C will lead to the lamp being switched off. Please note that the external temperature should not exceed 40° C.

FANS - Fan speed operation

By using this function you can choose 5 types of fan speed operation. Browse through this menu by pressing the [Up] and [Down] keys - the display shows step by step the following messages: "Auto, HIGH, reG, Lo.HI, Lo.OF". Press [Enter] if you wish to select one of them or [Mode] to cancel and return to the menu.



Auto - continuous controlling of the fan speed without DMX control

This mode is similar to "reG", but the initial level of the fan speed can't be adjusted by DMX.

HIGH - high speed of the fans

The cooling fans operate at high speed for maximum cooling.

reG - continuous controlling of the fan speed

The fan automatically increases its speed in order to control the internal temperature of the fixture if the temperature increases about certain level (the low fan speed reduces the cooling of the fixture). This cycle can repeat several times until the internal temperature is at a suitable level.

LoOF - low speed / switch off the lamp operation

The fan keeps the adjusted speed low until the internal temperature exceeds max. allowable level of the fixture, then the ARENA ULTRA WASH automatically switches off the lamp.

LoHI - low/high speed of the fan operation

The fan keeps the adjusted speed low until the internal temperature exceeds the max. allowable level of the fixture, then the ARENA ULTRA WASH automatically switches the fan speed from low to high.

Note: In the mode "HIGH" and "Auto" - the fan speed can't be adjusted by DMX.

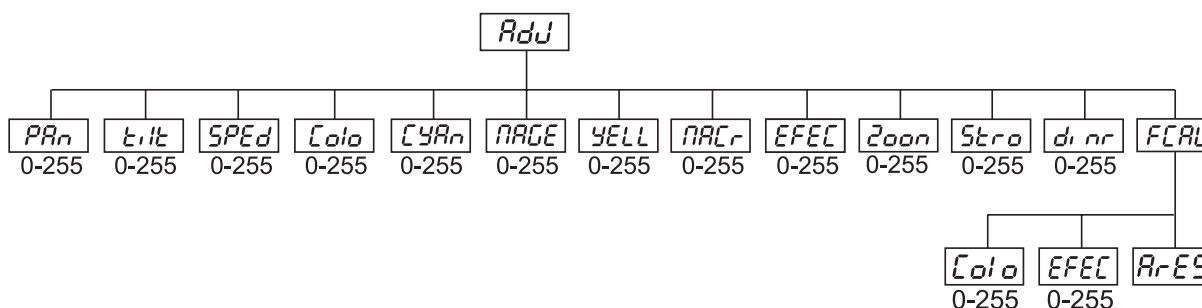
dFSE - Default settings

Press [Enter] to reset all of the fixture's personalities (not the adjusting functions) to their default values. On the display will appear "rSt" meaning that the fixture is resetting. See the table of personality settings and their default positions.

Personality	Display	Default value (shaded)
PAN-reverse	rPAn	On
		OFF
TILT-reverse	rt,ilt	On
		OFF
Resolution	16br	On
		OFF
Lamp On automatically	LAAu	On
		OFF
Display permanent on	d On	On
		OFF
Display-intensity	d Int	20 40 60 80 100
Display-reverse	turn	turn
		urnn
Feedback-fonction	FEEd	On
		OFF
Lamp Off via DMX	dLOF	On
		OFF
Ventilation fan	FA _n S	HIGH
		rEG
		LoOF
		LoHI

Adj- Adjusting the default positions

By using this function you can calibrate and adjust the different wheels to their standard/correct positions. Use the [Up] and [Down] keys to browse through the adjusting menu - the display shows step by step these messages: "PAN, Tilt, SPEd, Colo, CYAn, MAGE, YELL, MACr EFEC, Zoom, Stro, dimr, FCAL" by which you can adjust the fixture to the required / desired position (0-255) before the function calibration. Then when the positioning is finished use the last "FCAL" function (Fixture calibration).



1. Calibration via the Control Panel

Press [Enter] and the [Up] and [Down] keys in order to display the following messages: "Colo, EFEC" for very smooth function calibration. Select one by pressing [Enter] and use the [Up] and [Down] keys to adjust their value from 0 to 255. Then press [Enter] to confirm or [Mode] to cancel and return to the menu.

This can be repeated for each calibration parameter as required. When the calibration is finished, it is necessary to use the "ArES" function to write the calibration values to the memory (EEPROM) and to reset the fixture in order to check the newly adjusted positions of the colour, gobo and effect wheels. When the reset of the fixture is finished, the display will show the "FCAL" message. Press [Enter] to repeat the calibration or [Mode] to return to the "Adj" menu.

2. Calibration via the DMX Controller

Press [Enter] and the [Up] and [Down] keys in order to display the following messages: "Colo, EFEC" - calibration parameters. Select one of them by pressing [Enter]. Now you can calibrate the colour, gobo and effect wheels through your controller. The DMX calibration protocol is described in the following table.

DMX Calibration protocol:

DMX Channel	1	2	3	4	5	6	7	8
Function	COLOUR	EFFECT	-	-	-	-	COLOURS	CYAN
	CALIBRATION 0 - 255	CALIBRATION 0 - 255	-	-	-	-	STANDARD PROTOCOL	STANDARD PROTOCOL
	SMOOTH MICROSTEP MOVEMENT							

DMX Channel	9	10	11	12	13	14	15	16
Function	MAGENTA	YELLOW	SPEED CMY,DIMMER	COLOURS MACROS	BEAM EFFECTS	ZOOM	STROBE	DIMMER
	STANDARD PROTOCOL	STANDARD PROTOCOL	STANDARD PROTOCOL	STANDARD PROTOCOL	STANDARD PROTOCOL	STANDARD PROTOCOL	STANDARD PROTOCOL	STANDARD PROTOCOL

English

After having calibrated the necessary functions press **[Enter]** to confirm (or **[Mode]** to cancel and return to the menu without resetting by using the "ArES" function) and use the "ArES" function in order to write the calibration values to the memory (EEPROM) and to reset the fixture in order to check the newly adjusted positions of the colour, effect and rotating gobo wheels and gobo indexing.

8. Error and Information Messages

HEAt

This message appears if you try to switch the lamp on within 5 minutes after having switched it off as the lamp is too hot to re-strike. The message will appear on the display if the lamp doesn't ignite within 28 seconds. The **ARENA ULTRA WASH** will store this information and automatically attempt to ignite the lamp when the 5 minutes period has expired.

LAEr

The fixture unsuccessfully attempted to ignite the lamp seven times (the HEAt message appeared six times before), and the display shows "LAEr", meaning that the lamp could be damaged or even missing, the fixture is overheating (or the ambient temperature is 40° C or more) or that there could be a failure on the igniter or ballast.

Please replace or install the lamp, check internal and external temperatures or contact your dealer if the situation was not caused by any of these.

mbEr

This message informs you that the main PCB is not communicating correctly with the Control Panel.

CoEr

(Colour wheel error) This message will appear after the fixture resets if the magnetic-indexing circuit malfunctions (sensor failed or magnet missing) or the stepping-motor is defective (or its driver circuit on the main PCB). The colour wheel is not located in the default position after the reset.

FtEr

This error message informs you that the fixture was overheating (or that the ambient temperature was 40° C or more) and the relay switched off the lamp. This message will appear on the display until the temperature has reached a suitable level, then the display will show the HEAt message meaning the lamp is too hot to re-strike (see explanation above).

SnEr

This message appears if the lamp lighting sensor is failed. Please contact your dealer.

PoEr

This message will appear if the fixture was recently disconnected from the power supply.

PAEr

(PAN-yoke movement error) This message will appear after the fixture resets if the yoke's magnetic-indexing circuit malfunctions (sensor failed or magnet missing) or the stepping-motor is defective (or its driving IC on the main PCB). The yoke is not located in the default position after the reset.

t, Er

(TILT-head movement error) This message will appear after the fixture resets if the head's magnetic-indexing circuit malfunctions (sensor failed or magnet missing) or the stepping-motor is defective (or its driving IC on the main PCB). The head is not located in the default position after the reset.

FrEr

This message will appear if the frequency of the power supply is not standard 50 or 60 Hz.

9. Technical Specifications

Power supply

EU-model: 208/230/240 V AC, 50/60 Hz ~
US/Canadian-model: 100/115/208/230 V AC, 50/60 Hz ~
Power consumption: 800 W
Fuse: T 10 A, 250 V

Lamp

PHILIPS MSR 575/2 or MSD 575

Optical System

- High luminous-efficient parabolic mirror
- Light output via Fresnell-lens with a diameter of 200 mm
- Radiation angle of Fresnell-lens adjustable between 7° and 28°
- All lens are anti-reflection coated

Colours

- CMY colour mixture
- 4 interchangeable dichroic-filters plus white, correction-filters 3200 K and 6000 K, UV-filter
- Colour wheel with variable rotation speed

Strobe

- Strobe effect with variable speed (1 - 10 flashes per second)

Zoom

- Remotely controllable via DMX
- Motorized zoom adjustable between 7° and 28°

Dimmer

- Smooth dimmer from 0 - 100 %

Motor

- 13 high quality stepping-motors controlled by microprocessors

Electronics

- Digital serial input DMX-512
- 16 control channels (full 16-bit protocol):
 - Channel 1: Horizontal mirror (Pan) movement 8/16-bit
 - Channel 2: Vertical mirror (Tilt) movement 8/16-bit
 - Channel 3: Fine Horizontal mirror (Pan) movement 16-bit
 - Channel 4: Fine Vertical mirror (Tilt) movement 16-bit
 - Channel 5: Pan/Tilt speed
 - Channel 6: Fan speed, On/Off lamp, reset
 - Channel 7: Colour wheel
 - Channel 8: Cyan
 - Channel 9: Magenta
 - Channel 10: Yellow
 - Channel 11: Speed of CMY and dimmer
 - Channel 12: Colour macros - CMY and colour wheel
 - Channel 13: Beam effect
 - Channel 14: Zoom
 - Channel 15: Shutter, Strobe
 - Channel 16: Dimmer

Pan/Tilt

Pan movement range 530°
Tilt movement range 280°
8/16-bit movement resolution
Automatic Pan / Tilt position correction
Maximum PAN-movement 530° in 3 s
Maximum TILT-movement 280° in 2.2 s

Rigging

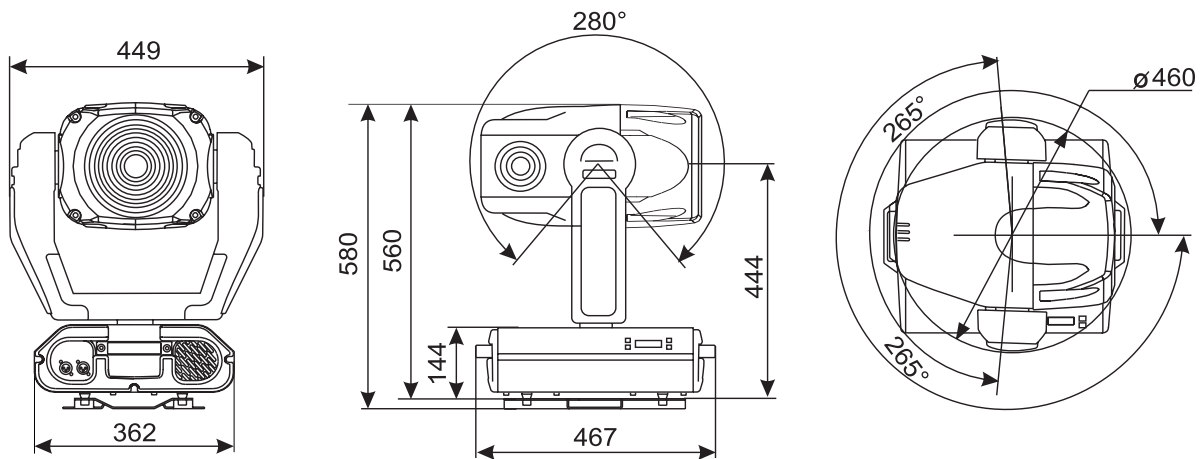
Stands directly on the floor
Mounts horizontally or vertically with 2 clamps
2 truss orientation
Safety cable attachment point

Temperatures

Maximum ambient (external) temperature t_a : 40° C
Maximum housing (internal) temperature t_b (steady state): 80° C

Dimensions and weight

Length of base (including handles): 470 mm
Width of yoke: 450 mm
Height (head horizontal): 580 mm
Weight (net): 33 kg
Shipping weight: 38 kg



10. Cleaning and Maintenance

The operator has to make sure that safety related and machine technical installations are inspected by a skilled person once a year and by an expert every four years in the course of an acceptance test.

The following points have to be considered during the inspection:

1. All screws used for installing the fixtures or parts of the fixture have to be tightly connected and must not be corroded.
2. There must not be any deformations on housings, fixations and installation spots (ceiling, suspension, trussing, etc.).
3. Mechanically moving parts like axles, eyes and others must not show any traces of wearing (e.g. material abrading or damages) and must not rotate unbalanced.
4. The electric power supply cables must not show any damages, material fatigue (e.g. porous cables) or sediments. Further instructions depending on the installation spot and usage have to be adhered to by a skilled installer and any safety problems have to be removed.



DANGER!
**Disconnect the power supply before starting
any maintenance work.**



It is absolutely essential that the fixture is kept clean and that dust, dirt and fog fluid residues must not build up on or within the fixture. Otherwise, the fixture's light output will be significantly reduced. Regular cleaning will not only ensure the maximum light output, but will also allow the fixture to function reliably for its life.

A soft lint-free cloth moistened with a glass cleaning fluid is recommended, under no circumstances should alcohol or solvents be used!

The Fresnell-lens will require weekly cleaning as fog fluid tends to build up residue, which can reduce the light output very quickly. The cooling fans should be cleaned monthly.

The interior of the fixture should be cleaned at least annually using a vacuum cleaner or an air-jet.

The dichroic colour filters should be cleaned monthly.

There are no serviceable parts inside the fixture except for the lamp and the fuse. Maintenance and service operations are to be carried out only by authorized dealers.

10.1. Replacing the fuse

If the lamp burns out, it is possible that the fuse for the lamp might be blown as well. Only replace this fuse with a fuse of the same type and rating.

Before replacing the fuse, unplug the power supply.

Procedure:

- Step 1:** Unscrew the fuseholder from the housing on the rear panel with a fitting screwdriver (anti-clockwise).
- Step 2:** Remove the old fuse from the fuseholder.
- Step 3:** Install the new fuse in the fuseholder.
- Step 4:** Replace the fuseholder in the housing and screw it back into place.

Should you need any spare parts, please use genuine parts.

If the power supply cable of this fixture becomes damaged, it has to be replaced by authorized dealers only in order to avoid hazards.

11. Appendix

We hope that you will enjoy your **ARENA ULTRA WASH**. We can assure you that this fixture will give you many years of reliable service if you follow the instructions outlined in this manual.

Should you have further questions, do not hesitate to contact your local dealer.

Please note: Errors and omissions for all information given in this manual excepted. All information is subject to change without prior notice. Any claim due to missing or incorrect information in this manual is herewith excluded.

**All rights reserved (including translations in other languages).
No part of this user manual may not be reproduced or altered in
Any way without the expressed written permission of the publisher.**

© November 2001 Version 0.97